

DISTRICT NIRMITHI KENDRA, CIVIL STATION, MALAPPURAM

Tender No: NKMP /MTRL AND LBR/343/16-17-02

Dated : 01/09/2017

The Project Manager
District Nirmithi Kendra, Civil Station,
Malappuram - 676505
Phone: 0483- 2735594

INVITATION OF TENDER FROM THE TENDERERS

Tender No: NKMP /MTRL AND LBR/343/16-17-02

The Project Manager, District Nirmithi Kendra, Malappuram, invites sealed Tenders from the Competent Firms / Suppliers in prescribed form for supplying of SOLAR LIGHT WITH STAINLESS STEEL POST to District Nirmithi Kendra, For UPGRADATION OF BASIC FACILITIES & INFRASTRUCTURE DEV: OF PADINJAREKKARA BEACH.

Cost of Tender Form	Nil
EMD	Nil
Last Date and time of receiving Tender	19-09-2017 10.00 AM
Date of Tender Opening	19-09-2017, 11.30 AM
Place of Tender Opening	Project Manager's Chamber

Tender Form and Tender Schedule may be received from the office of District Nirmithi Kendra on Free of Cost. Tenders should be addressed to, **The Project Manager, District Nirmithi Kendra, Civil Station, Malappuram - 676505, Phone : 0483 - 2735594.** Sealed Tenders are accepted through post or registered couriers. Late Tenders will not be accepted. Tenders will be opened in the presence of Tendered or their authorized representatives who may be present at that time. If the Tender date happens to be a declared holiday, the tender process will be done on the next working day at same time and place. Further details can be had from the office of District Nirmithi Kendra, Civil Station, Malappuram during working hours.


Project Manager Cum Executive Secretary
District Nirmithi Kendra
Civil Station, Malappuram



DISTRICT NIRMITHI KENDRA, CIVIL STATION, MALAPPURAM

QUOTATION SCHEDULE

Quotation No: NKMP /MTRL AND LBR/ 343/16-17/02

Name of site: UPGRADATION OF BASIC FACILITIES & INFRASTRUCTURE DEV: OF PADINJAREKKARA BEACH-SUPPLYING AND ERECTION OF SOLAR STREET LIGHT WITH STAINLESS STEEL POST

Sl No	Description of Materials	Quantity	Rate Quoted by Firm (including all taxes, freight charges to the site)
1	<p>15 W LED 5M Solar street Light ,working temperature :30° C -65° C <u>DETAILED SPECIFICATION</u> <u>LIGHT SOURCE</u>- 15 W 12V LED,CREE Chip,1800 LM, White color,6500K</p> <p><u>Solar panel</u> - 75Wp, Crystalline Silicon</p> <p><u>Solar Battery</u> - 60/75Ah 12V, Full sealed type, gelled, deep cycle</p> <p><u>Solar Controller</u> - 10A/12V controller, IP 68 water-proof lifespan: 5 to 8 year, automatic light controll & time control system, over charging/discharging protection, reverse-connection protection</p> <p><u>Pole</u> - 5meter pole, Steel ,Hot -Dip Galvanised, plastic coated, Rust proof, Include all fittings like panel Bracket, Lamp Arm, Battery Box, Base Foundation, Cables, Screws etc.</p>	16Nos	

Name
Address of Firm / Supplier

Signature

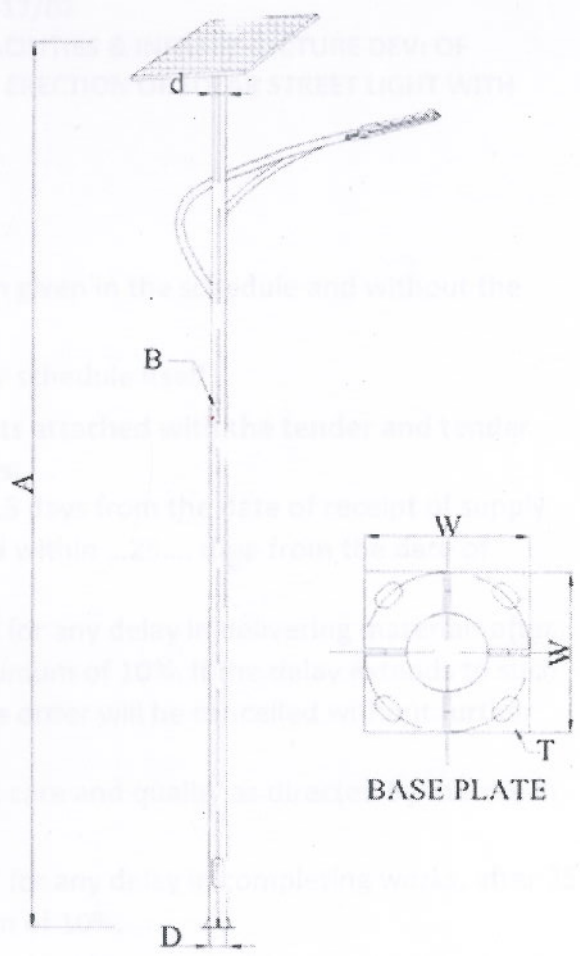
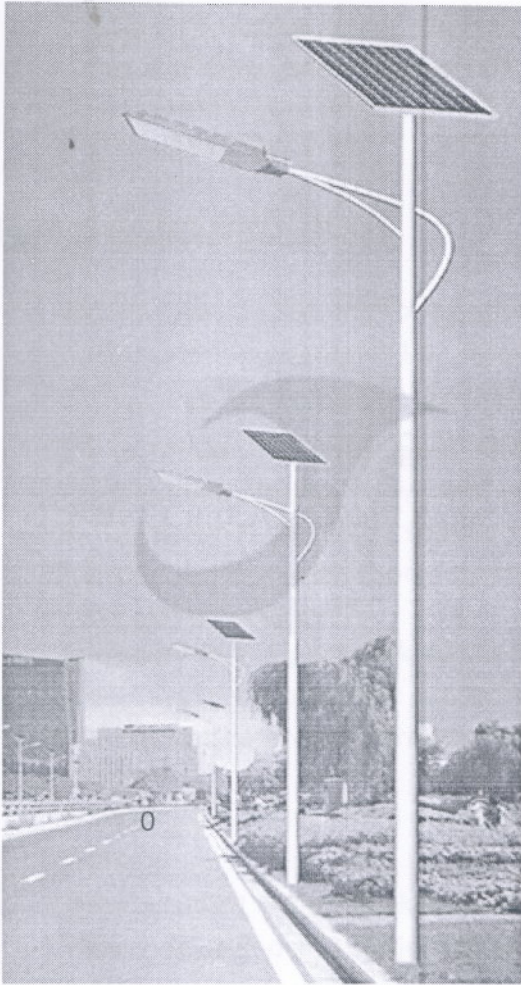
Project Manager
District Nirmithi Kendra
Malappuram

Signature


Project Manager Cum
Executive Secretary
District Nirmithi Kendra
Civil Station, Malappuram



POLE SPECIFICATION



<p>POLE</p>	<p>Height:5M(A); Diameter:60/130(d/D); Thickness:2.75(B); Flange plate:240/12(W/T); Arm diameter:60(C)</p>
--------------------	--




 Project Manager Cum
 Executive Secretary
 District Nirmithi Kendra
 Civil Station, Malappuram

DISTRICT NIRMITHI KENDRA, CIVIL STATION, MALAPPURAM

Tender No: NKMP /MTRL AND LBR/343/16-17/02

Name of work: UPGRADATION OF BASIC FACILITIES & INFRASTRUCTURE DEV: OF PADINJAREKKARA BEACH- SUPPLYING AND ERECTION OF SOLAR STREET LIGHT WITH STAINLESS STEEL POST.

TERMS AND CONDITIONS

- 1 Offers not confirming to the specification given in the schedule and without the relevant documents will be rejected
- 2 The rates should be quoted in the tender schedule itself.
- 3 The Tenderer should sign in all the sheets attached with the tender and tender schedule including Terms and conditions.
- 4 The material should be supplied within 15 days from the date of receipt of supply order and the work should be completed within ...25.... days from the date of receipt of work order.
- 5 Penalty @ 1 % per week will be imposed for any delay in delivering materials after 15 days of supply order subject to a maximum of 10%. If the delay extends to such limits unbearable to Nirmithi Kendra, the order will be cancelled without further notice.
- 6 Work should be carried out with at most care and quality as directed by the site in charge.
- 7 Penalty @ 1 % per week will be imposed for any delay in completing works, after 25 days of work order subject to a maximum of 10%.
- 8 Part payments against the progress of work will be released by Nirmithi kendra on weekly basis depending on assessment of the progress of work.
- 9 All statutory payments towards the welfare of labours engaged will be the sole responsibility of the Mason / Labour contractor
- 10 The undersigned reserves the right to reject any or all tenders without assigning any reasons.
- 11 Tenders not satisfying the above Terms and conditions are liable to be rejected without any further communication.

Name
Address of Firm / Supplier

Project Manager Cum Executive Secretary
District Nirmithi Kendra
Malappuram

Signature



Signature